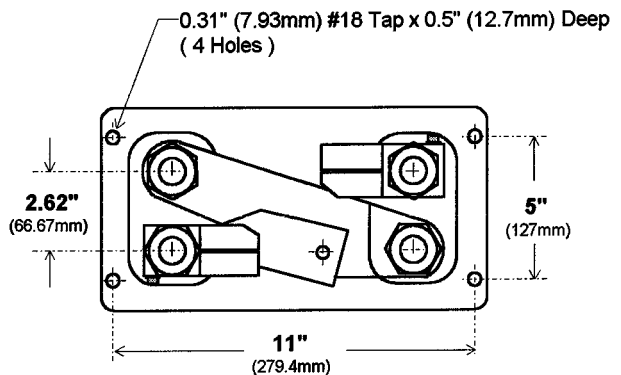
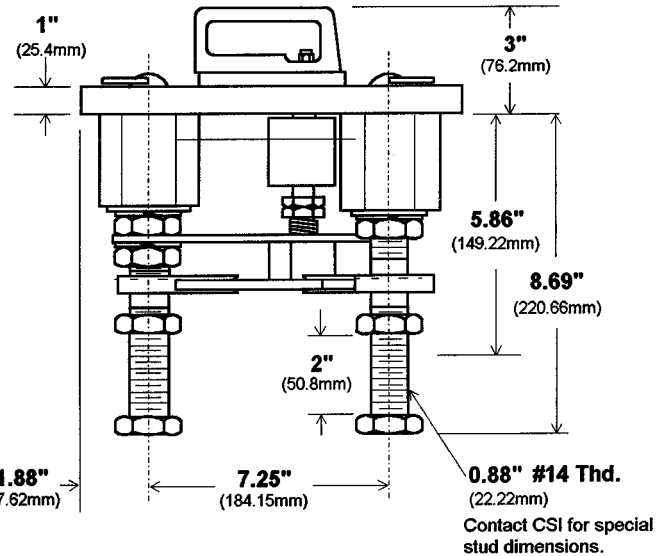
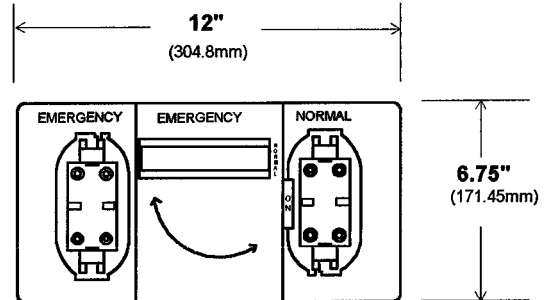




TYPE: TPL-62-6001-00 – 145 Vdc, 70-600 Amps / 60 Vdc, 800 Amps

- Two TPL 61-6001 mounted on a common insulating base
- With related bus and switching mechanism



Switch Characteristics

Current Rating: 70-600 Amps / 800 Amps

Voltage Rating: 145 Volts DC / 60 Volts DC

Switching: 1000 cycles @ 100% rated current
50 cycles @ 150% rated current
5 cycles @ 600% rated current

UL Withstand Rating: 100,000 Amps

Agency Approvals

UL Recognized, File E122674

Fuses

For use with Littelfuse® Type L17T
or Telpower® Type TPL fuses

Please contact us for additional connection options.