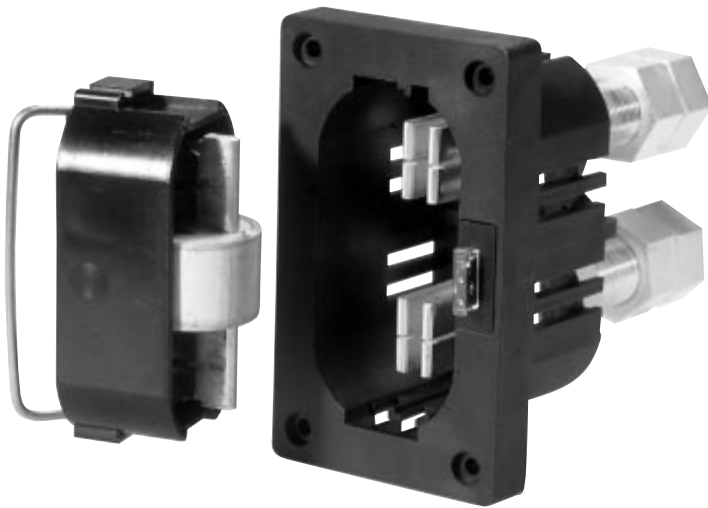




TYPE: TPL 121 – 900 to 1200 Amps, 60 Vdc

- Innovative pullout design eliminates need for tools to replace the fuse
- For use with Littelfuse® L17T series
- Standard remote alarm tabs
- Optional alarm signalling circuit (visual and remote)
- Thermoplastic housing material UL Rated 94V-0, 170°C



Switch Characteristics

Current Rating: 900-1200 Amps

Voltage Rating: 60 Volts DC

UL Withstand Rating: 100,000 Amps

Switching: 1000 cycles @ 100% rated current
50 cycles @ 150% rated current
5 cycles @ 600% rated current

Agency Approvals

UL Recognized, File E122674

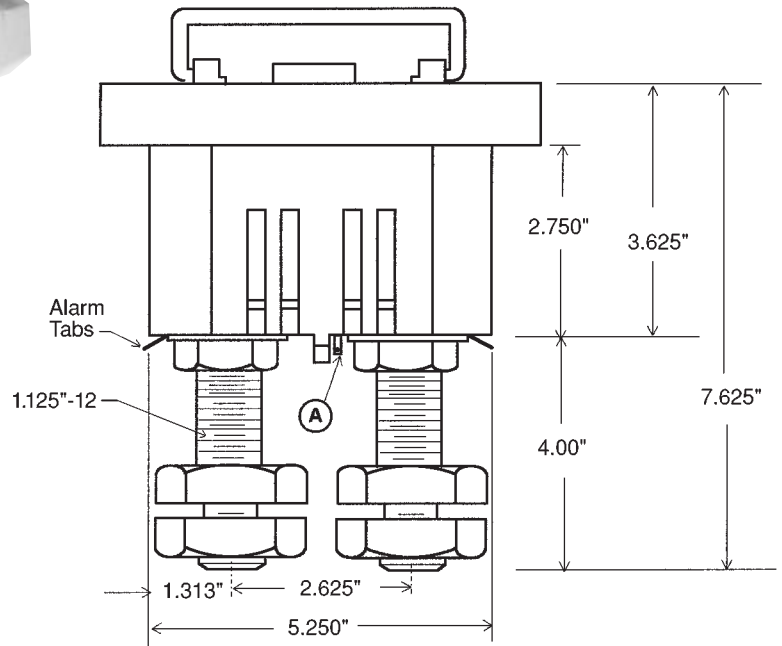
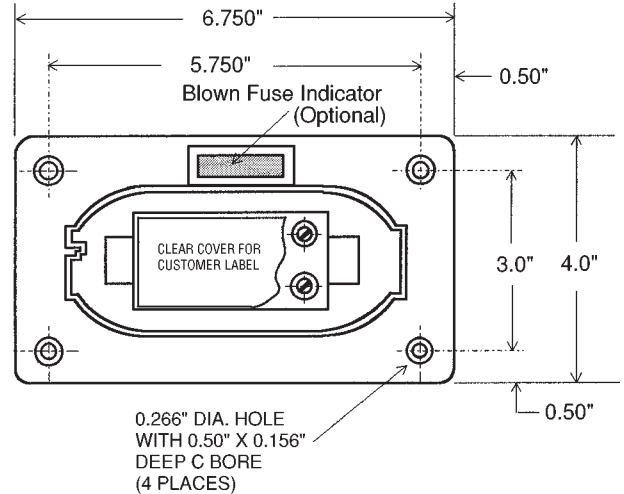
Fuses

For use with Littelfuse® type L17T1200

For alarm fuse type GMT 18/100A

Patents Pending

Application Note: The alarm circuit is not intended for precharging of capacitive circuits. Alarm circuit 1 Amp maximum.



Ⓐ – Alarm Tab if optional Alarm Signalling Circuit is used.

How To Order

TPL121-1XX

Options: Labels, colours, etc.

Alarm Signalling Circuit: 0=Without Alarm, 1=With Alarm

Tolerances ± .015 for the hole diameters. Other tolerances ± .030 unless specified. Dimensions subject to change without notice.