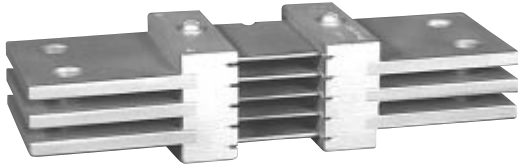


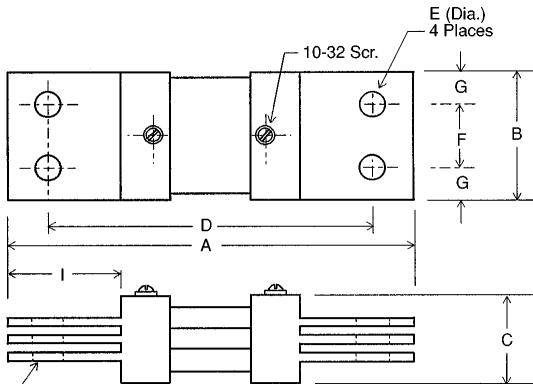


TYPE R: 1,000 through 2,000 Amperes



TYPE R: 50 mV

Catalog Number	AMP	A	B	C	D	E	F	G	H	I
R-1000-50	1000	9.06	2.62	1.50	7.50	0.53	1.50	0.56	2	2.62
R-1200-50	1200	9.06	3	1.50	7.50	0.53	1.50	0.75	2	2.62
R-1500-50	1500	9.06	3	1.50	7.50	0.53	1.50	0.75	2	2.62
R-2000-50	2000	9.06	3.25	2	7.50	0.53	2	0.62	3	2.62



H – Number of Copper Blades at each end, 1/4" thick, 1/4" apart

TYPE R: 100 mV

Catalog Number	AMP	A	B	C	D	E	F	G	H	I
R-1000-100	1000	10.87	2.62	1.50	9.31	0.53	1.50	0.56	2	2.81
R-1200-100	1200	10.87	3	1.50	9.31	0.53	1.50	0.75	2	2.81
R-1500-100	1500	10.87	3	1.50	9.31	0.53	1.50	0.75	2	2.81
R-2000-100	2000	10.87	3.25	2	9.31	0.53	2	0.62	3	2.81