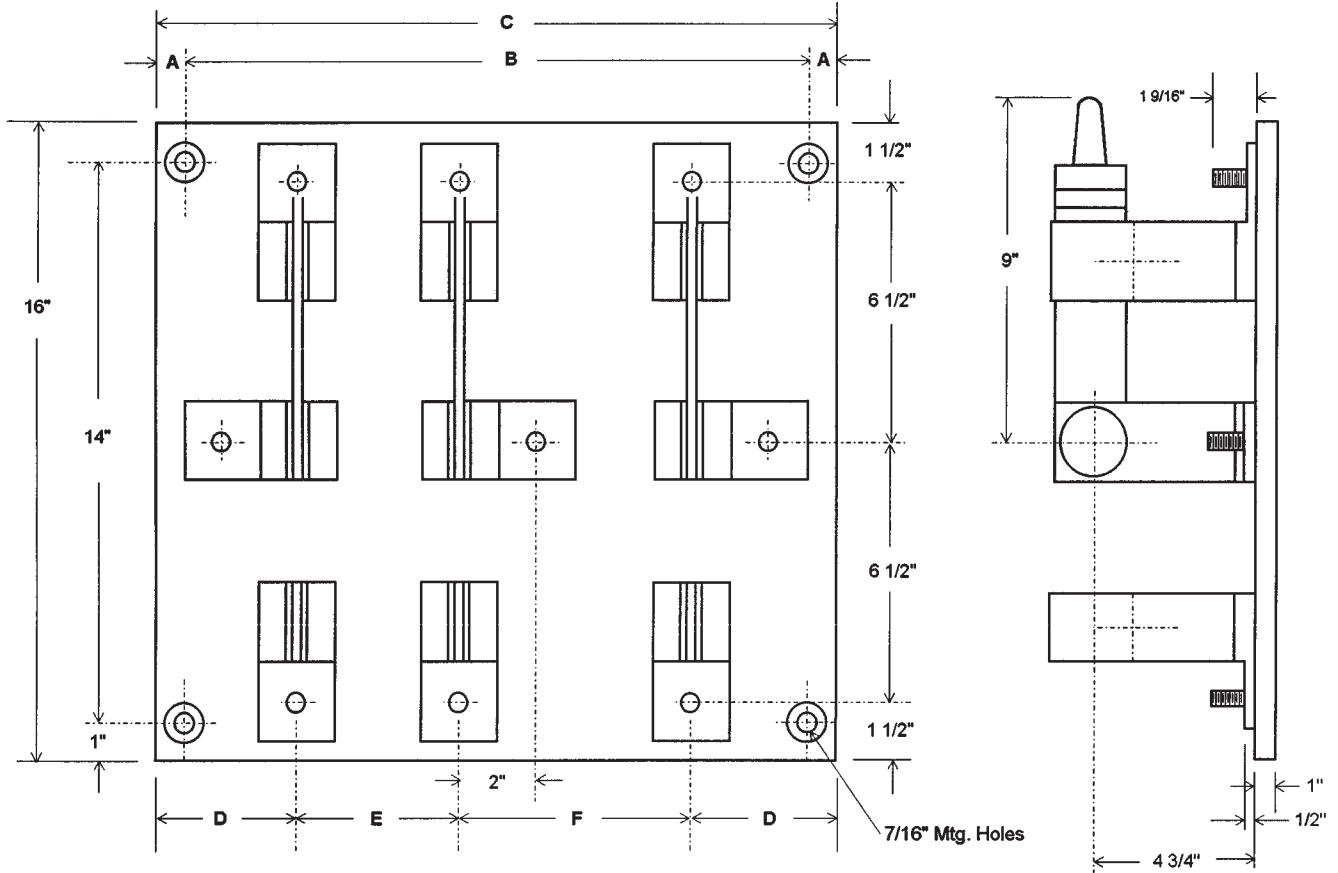




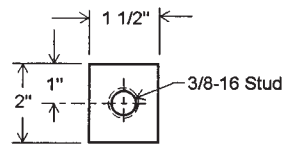
TYPE A - Double Throw - Front Connected: 600 and 800 Amp

Shown as Basic Switch. For options, download [Info/Opt.pdf](#)

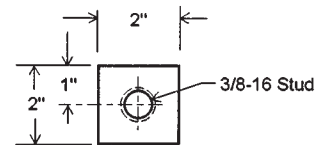


NOTE: Parts silver plated,
insulation red polyglass

**Customer
Connection**



600 AMP



800 AMP

600 and 800 AMP — 600 VDC / VAC OR LESS

| POLES | A | B | C | D | E | F | No. of Mtg. Holes |
|--------|-----|-------|--------|-------|---|---|-------------------|
| Single | 3/4 | 6 1/4 | 7 3/4 | 3 3/8 | — | — | 4 |
| Two | 3/4 | 10 | 11 1/2 | 3 3/4 | 4 | — | 4 |
| Three | 3/4 | 16 | 17 1/2 | 3 3/4 | 4 | 6 | 4 |

Tolerances $\pm .015$ for the hole diameters. Other tolerances $\pm .030$ unless specified.
Dimensions subject to change without notice.