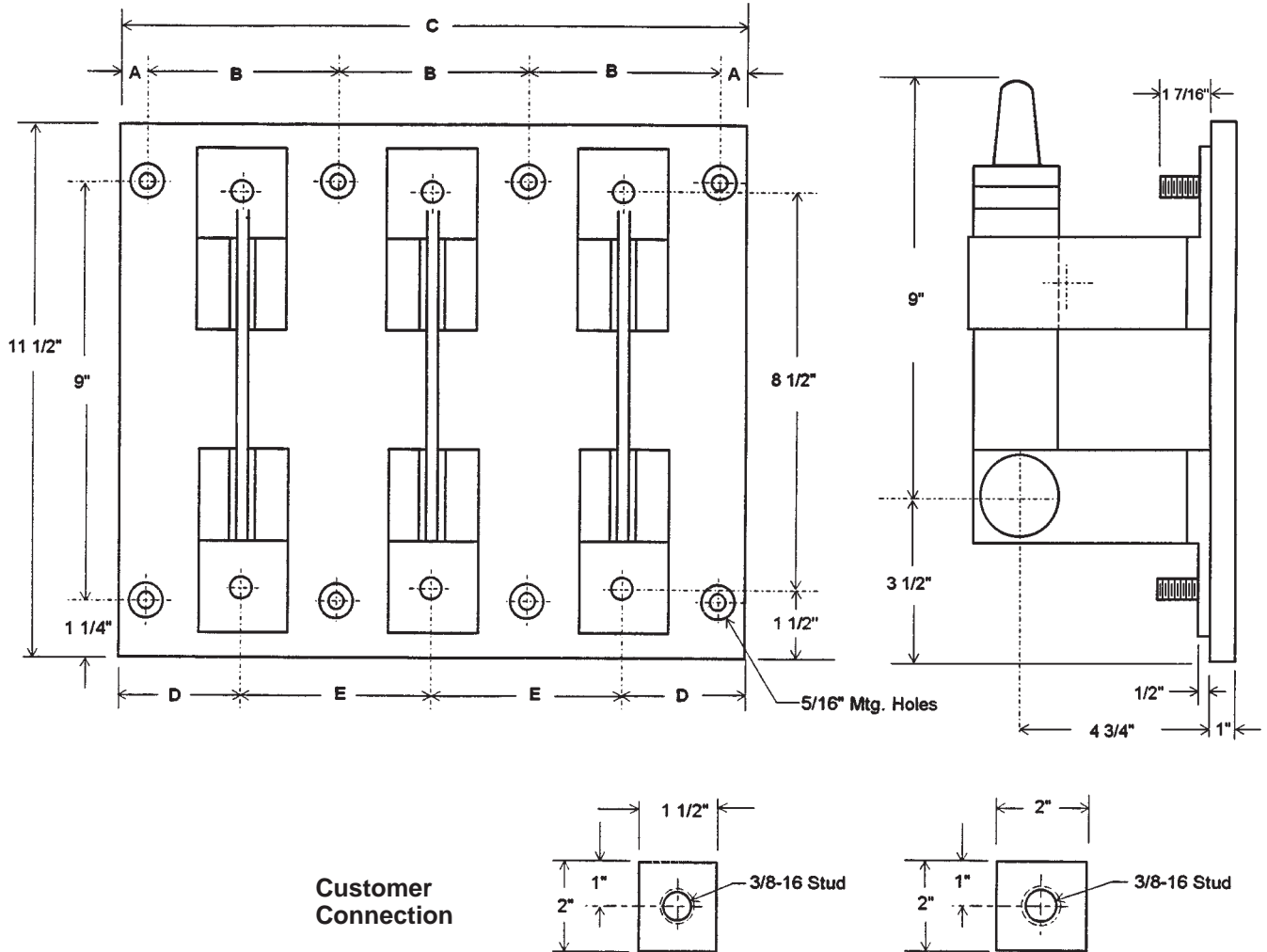




## TYPE A - Single Throw - Front Connected: 600 and 800 Amp

Shown as Basic Switch. For options, download [Info/Opt.pdf](#)



NOTE: Parts silver plated, insulation red polyglass

### 600 and 800 AMP — 600 VDC / VAC OR LESS

POLES	A	B	C	D	E	No. of Mtg. Holes
Single	5/8	4 1/4	5 1/2	2 3/4	—	4
Two	5/8	4 1/4	9 1/4	2 3/4	4 1/4	6
Three	5/8	4 1/4	14	2 3/4	4 1/4	8

Tolerances ± .015 for the hole diameters. Other tolerances ± .030 unless specified. Dimensions subject to change without notice.