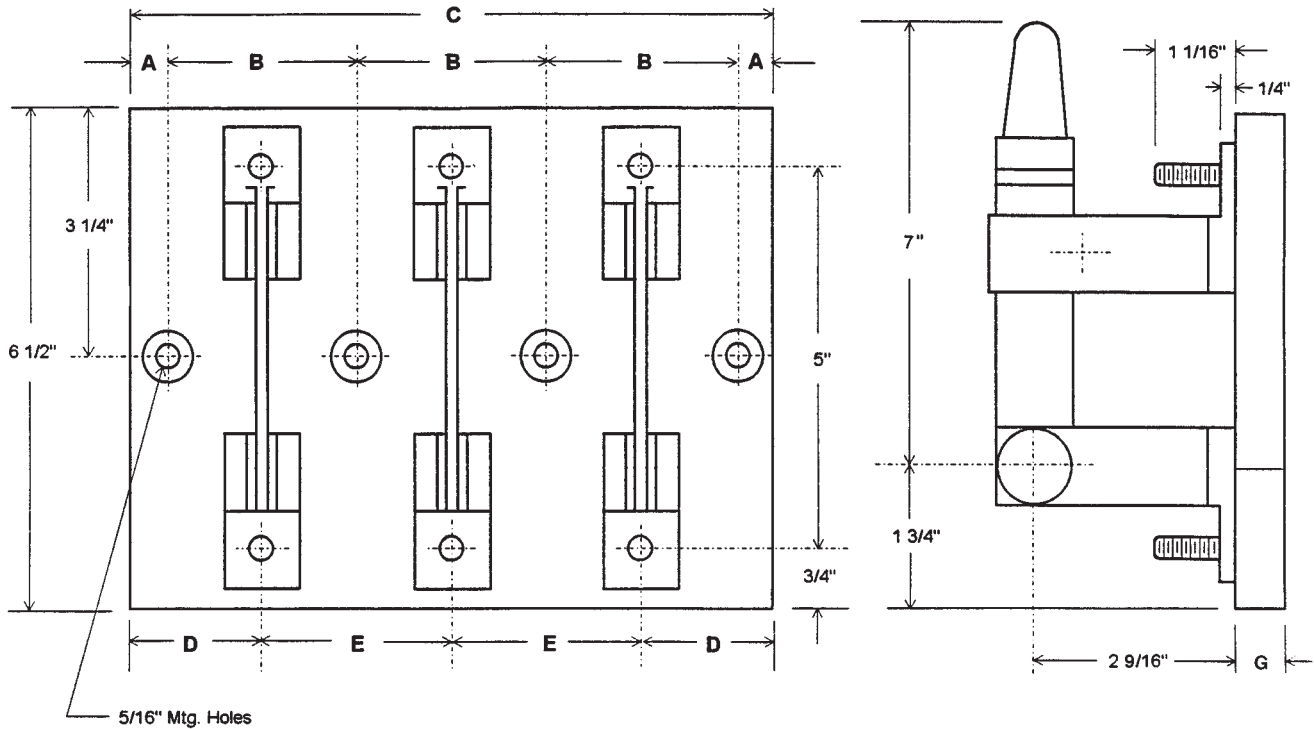




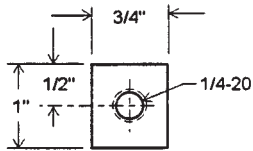
# Knife Switches

## TYPE A - Single Throw - Front Connected: 30, 60, 100, 200, 300 and 400 Amp

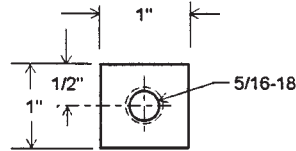
Shown as Basic Switch. For options, download [Info/Opt.pdf](#)



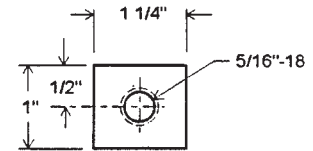
Customer Connection



30 & 60 AMP  
100 & 200 AMP



300 AMP



400 AMP

NOTE: 30 and 60 Amp - Parts bright dipped, insulation red polyglass  
100 to 400 Amp - Parts silver plated, insulation red polyglass

### 30, 60, 100, 200, 300 and 400 AMP — 250 VDC / 500 VAC

POLES	A	B	C	D	E	G	No. of Mtg. Holes
Single	1/2	2 1/2	3 1/2	1 1/4	—	3/4	2
Two	1/2	2 1/2	6	1 1/4	2 1/2	3/4	3
Three	1/2	2 1/2	8 1/2	1 1/4	2 1/2	3/4	4

### 600 VDC / VAC

G
1
1
1