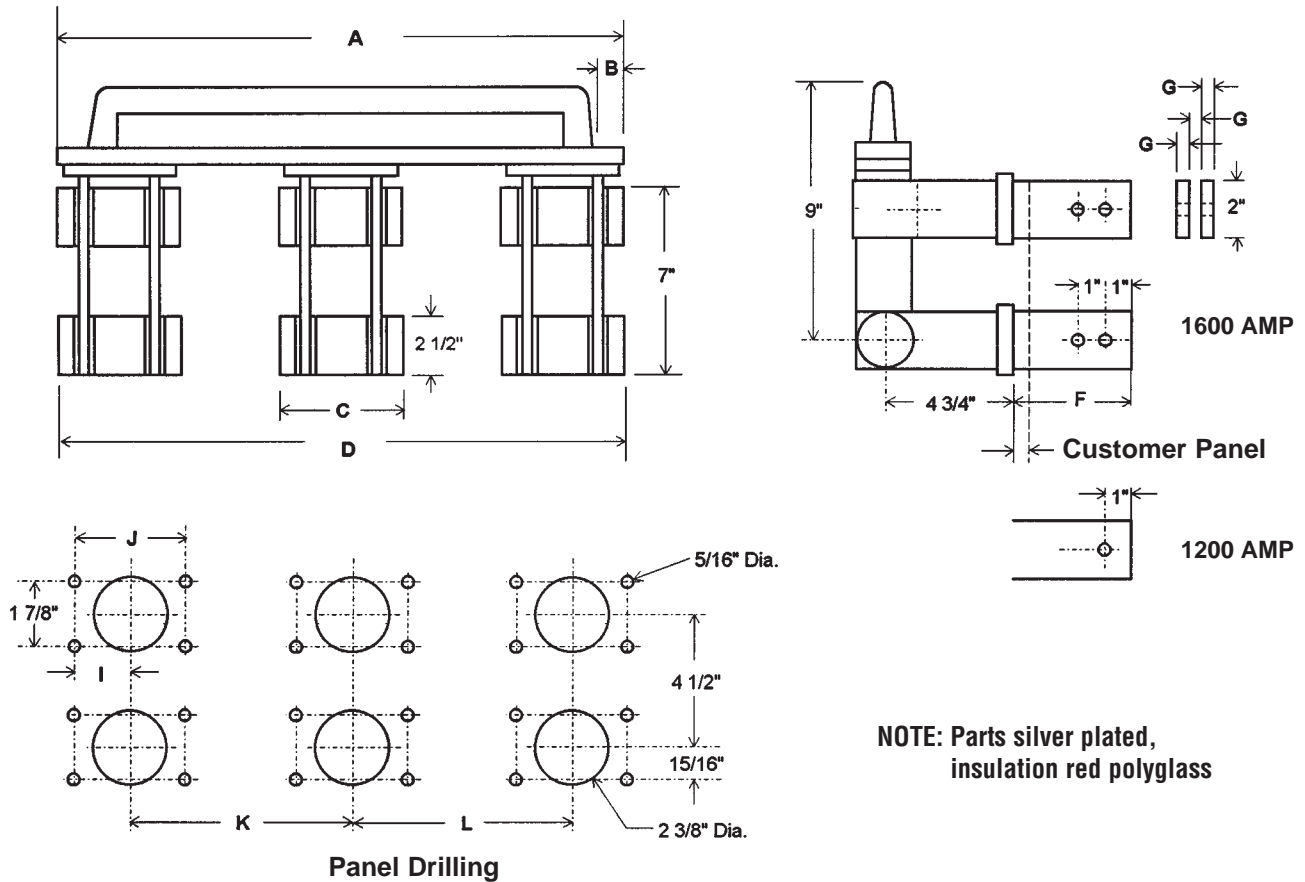




Knife Switches

TYPE B - Single Throw - Back Connected: 1200 and 1600 Amp

Shown as Basic Switch. For options, download Info/Opt.pdf



1200 AMP — 600 VDC / VAC OR LESS

POLES	A	B	C	D	F	G	I	J	K	L
Single	6 $\frac{1}{4}$	2 $\frac{3}{32}$	4	—	3	$\frac{1}{4}$	1 $\frac{11}{16}$	3 $\frac{3}{8}$	—	—
Two	9 $\frac{11}{16}$	1 $\frac{1}{16}$	4	9 $\frac{7}{8}$	3	$\frac{1}{4}$	1 $\frac{11}{16}$	3 $\frac{3}{8}$	5 $\frac{1}{2}$	—
Three	15 $\frac{3}{16}$	1 $\frac{1}{16}$	4	14 $\frac{15}{16}$	3	$\frac{1}{4}$	1 $\frac{11}{16}$	3 $\frac{3}{8}$	5 $\frac{1}{2}$	5 $\frac{1}{2}$

1600 AMP — 600 VDC / VAC OR LESS

POLES	A	B	C	D	F	G	I	J	K	L
Single	5 $\frac{1}{4}$	1 $\frac{1}{8}$	5 $\frac{1}{4}$	—	4	$\frac{3}{8}$	2 $\frac{5}{16}$	4 $\frac{5}{8}$	—	—
Two	10 $\frac{1}{2}$	—	5 $\frac{1}{4}$	12 $\frac{3}{4}$	4	$\frac{3}{8}$	2 $\frac{5}{16}$	4 $\frac{5}{8}$	7 $\frac{1}{2}$	—
Three	21 $\frac{1}{8}$	1 $\frac{1}{16}$	5 $\frac{1}{4}$	20 $\frac{1}{4}$	4	$\frac{3}{8}$	2 $\frac{5}{16}$	4 $\frac{5}{8}$	7 $\frac{1}{2}$	7 $\frac{1}{2}$

Tolerances $\pm .015$ for the hole diameters. Other tolerances $\pm .030$ unless specified. Dimensions subject to change without notice.