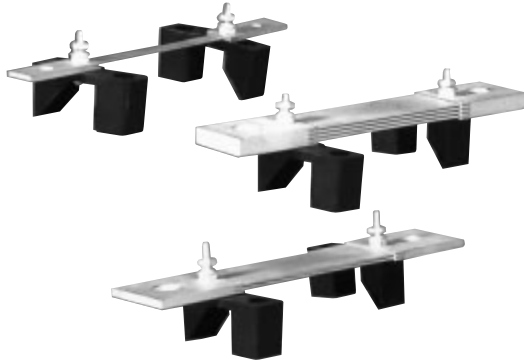


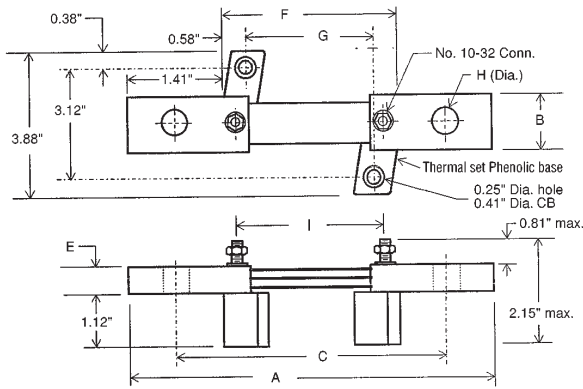


## TYPE GB: 60 through 500 Amperes



### TYPE GB: 50 mV

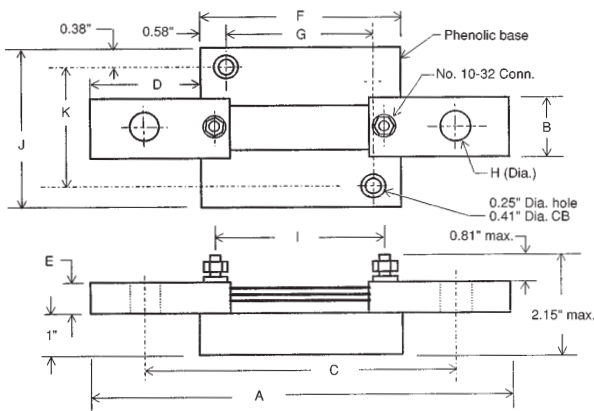
Catalog Number	AMP	A	B	C	E	F	G	H	I
GB-60-50	60	6	0.85	4.5	0.12	3.28	2.12	0.41	2.50
GB-75-50	75	6	1.06	4.5	0.12	3.28	2.12	0.41	2.50
GB-80-50	80	6	1.13	4.5	0.12	3.28	2.12	0.41	2.50
GB-100-50	100	6	1.41	4.5	0.12	3.28	2.12	0.41	2.50
GB-150-50	150	6	1.06	4.5	0.18	3.28	2.12	0.53	2.50
GB-200-50	200	6	1.41	4.5	0.18	3.28	2.12	0.53	2.50
GB-250-50	250	6	1.77	4.5	0.18	3.28	2.12	0.53	2.50
GB-300-50	300	6	1.41	4.5	0.31	3.28	2.12	0.53	2.50
GB-400-50	400	6	1.41	4.5	0.38	3.28	2.12	0.53	2.50
GB-500-50	500	6	1.77	4.5	0.38	3.28	2.12	0.53	2.50



### TYPE GB: 100 mV

Catalog Number	AMP	A	B	C	E	F	G	H	I
GB-60-100	60	8	0.85	6.5	0.12	5.28	4.12	0.41	4.50
GB-75-100	75	8	1.06	6.5	0.12	5.28	4.12	0.41	4.50
GB-80-100	80	8	1.13	6.5	0.12	5.28	4.12	0.41	4.50
GB-100-100	100	8	1.41	6.5	0.12	5.28	4.12	0.41	4.50
GB-150-100	150	8	1.06	6.5	0.18	5.28	4.12	0.53	4.50
GB-200-100	200	8	1.41	6.5	0.18	5.28	4.12	0.53	4.50
GB-250-100	250	8	1.77	6.5	0.18	5.28	4.12	0.53	4.50
GB-300-100	300	8	1.41	6.5	0.31	5.28	4.12	0.53	4.50
GB-400-100	400	8	1.41	6.5	0.38	5.28	4.12	0.53	4.50
GB-500-100	500	8	1.77	6.5	0.38	5.28	4.12	0.53	4.50

## TYPE GB: 10 through 50 Amperes and 600 through 1,000 Amperes



### TYPE GB: 50 mV

Catalog Number	AMP	A	B	C	D	E	F	G	H	I	J	K
GB-10-50	10	6	0.45	4.5	1.41	0.12	3.28	2.12	0.28	2.50	2.88	2.12
GB-15-50	15	6	0.45	4.5	1.41	0.12	3.28	2.12	0.28	2.50	2.88	2.12
GB-20-50	20	6	0.59	4.5	1.41	0.12	3.28	2.12	0.28	2.50	2.88	2.12
GB-30-50	30	6	0.45	4.5	1.41	0.12	3.28	2.12	0.28	2.50	3.88	3.12
GB-40-50	40	6	0.59	4.5	1.41	0.12	3.28	2.12	0.28	2.50	3.88	3.12
GB-50-50	50	6	0.71	4.5	1.41	0.12	3.28	2.12	0.41	2.50	2.88	2.12
GB-600-50	600	8	2.14	6	2.41	0.50	3.28	2.12	0.66	2.50	5.00	4.24
GB-800-50	800	8	2.28	6	2.41	0.50	3.28	2.12	0.66	2.50	5.00	4.24
GB-1000-50	1000	8	2.83	6	2.41	0.50	3.28	2.12	0.66	2.50	5.00	4.24

### TYPE GB: 100 mV

Catalog Number	AMP	A	B	C	D	E	F	G	H	I	J	K
GB-10-100	10	8	0.45	6.5	1.41	0.12	5.28	4.12	0.28	4.50	2.88	2.12
GB-15-100	15	8	0.45	6.5	1.41	0.12	5.28	4.12	0.28	4.50	2.88	2.12
GB-20-100	20	8	0.59	6.5	1.41	0.12	5.28	4.12	0.28	4.50	2.88	2.12
GB-30-100	30	8	0.45	6.5	1.41	0.12	5.28	4.12	0.28	4.50	3.88	3.12
GB-40-100	40	8	0.59	6.5	1.41	0.12	5.28	4.12	0.28	4.50	3.88	3.12
GB-50-100	50	8	0.71	6.5	1.41	0.12	5.28	4.12	0.41	4.50	2.88	2.12
GB-600-100	600	10	2.14	8	2.41	0.50	5.28	4.12	0.66	4.50	5.00	4.24
GB-800-100	800	10	2.28	8	2.41	0.50	5.28	4.12	0.66	4.50	5.00	4.24
GB-1000-100	1000	10	2.83	8	2.41	0.50	5.28	4.12	0.66	4.50	5.00	4.24

Tolerances  $\pm .015$  for the hole diameters. Other tolerances  $\pm .030$  unless specified. Dimensions subject to change without notice.