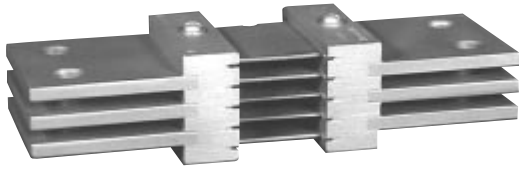


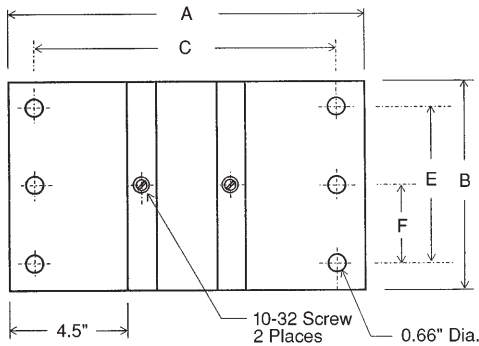


TYPE G: 3,000 through 10,000 Amperes – Silvered Finish



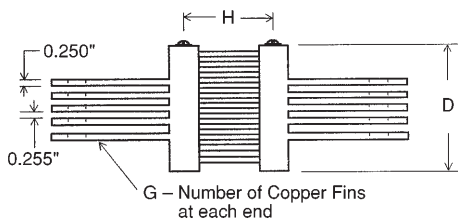
TYPE G: 50 mV

Catalog Number	AMP	A	B	C	D	E	F	G	H
G-3000-50S	3000	13	4	11	2	2.5	—	2	3
G-4000-50S	4000	13	4	11	3	2.5	—	3	3
G-5000-50S	5000	13	5	11	3	2.5	—	3	3
G-6000-50S	6000	13	6	11	3	3	—	3	3
G-8000-50S	8000	13	8	11	4	5.5	2.75	4	3
G-10000-50S	10000	13	8	11	4	5.5	2.75	5	3



TYPE G: 100 mV

Catalog Number	AMP	A	B	C	D	E	F	G	H
G-3000-100S	3000	15	4	13	2	2.5	—	4	5
G-4000-100S	4000	15	4	13	3	2.5	—	5	5
G-5000-100S	5000	15	5	13	3	2.5	—	5	5
G-6000-100S	6000	15	6	13	3	3	—	5	5
G-8000-100S	8000	15	8	13	4	5.5	2.75	6	5
G-10000-100S	10000	15	8	13	4	5.5	2.75	7	5



Note:

- For special applications or high ambient temperature, CSI will use copper blocks.
- For water-cooled type shunts, please call for dimensions.
- Do not use excessive force to install the shunt in multi-blade bus bar connection. Shunts should be installed so that they will not be damaged by terminal expansion forces in the connecting bus bars or by short circuit forces.

It should be recognized that shunts are inherently weaker than their current connections and that special flexibility may be needed.