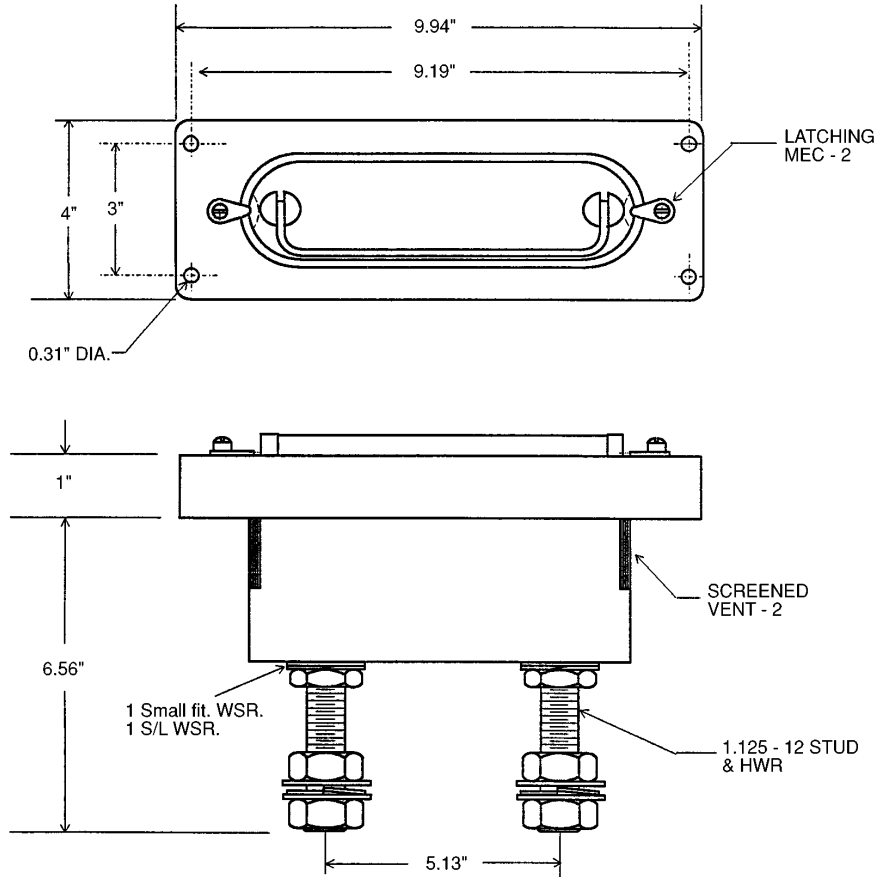




TYPE: DF-61-6001-04 – 60 Vdc, 600 Amps



Switch Characteristics

Current Rating: 600 Amps

Voltage Rating: 60 Volts DC

UL Withstand Rating: 10,000 Amps

Agency Approvals

UL Recognized, File E122674

Fuses

For use with Littelfuse® Type L17T or Telpower® Type TPL fuses

Please contact us for additional connection options.