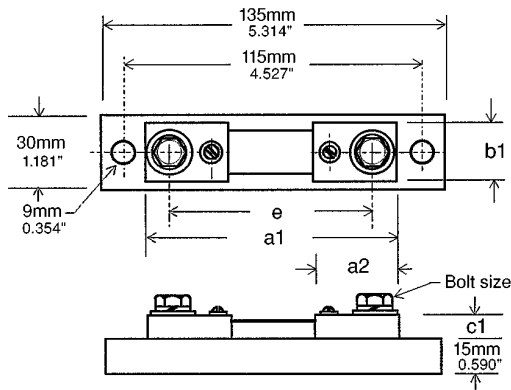




860 Form A



Rated		1A to 25A		26A to 150A	
Model No.		860		861	
60 mV	Dim.	mm	inch	mm	inch
	a1	90	3.543	100	3.937
	a2	28	1.102	33	1.299
	b1	20	0.787	20	0.787
	c1	8	0.314	8	0.314
Bolt size		1/4-20		3/8-16	

Rated		1A to 25A		26A to 150A	
Model No.		860		861	
150 mV	Dim.	mm	inch	mm	inch
	a1	90	3.543	225	8.858
	a2	28	1.102	33	1.299
	b1	20	0.787	25	0.984
	c1	8	0.314	8	0.314
Bolt size		1/4-20		3/8-16	

860 Series

Designed and manufactured to comply with the requirements of DIN 43 703 for dimensions and DIN 43 780 for performance.

Accuracy class 0.5%

Class 0.25% also available

Overload 120% rated current continuously

5 second ratings:

1A – 500A = 10 times rated current

501A – 2000A = 5 times rated current

2001A – 15000A = 2 times rated current

Temperature coefficient: 0.002% per °C overall

Calibrated for 23°C with the working range of -20°C to +60°C

Maximum load: for maximum accuracy, load should not exceed 0.1% of the shunt current rating.

Tolerances $\pm .015$ for the hole diameters. Other tolerances $\pm .030$ unless specified.
Dimensions subject to change without notice.